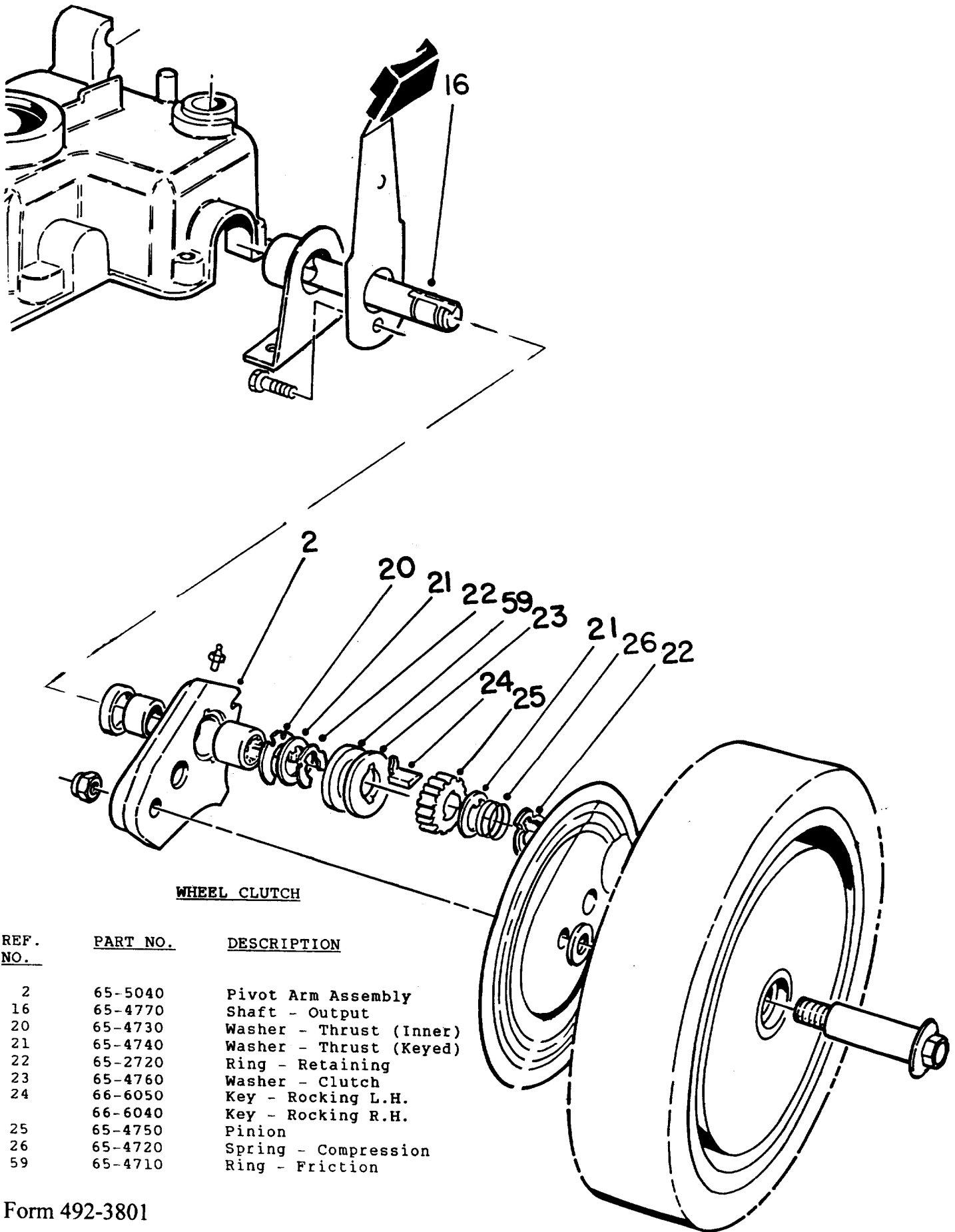


Self-Propelled Mower Wheel Clutch Assembly Guide



REF. NO.	PART NO.	DESCRIPTION
2	65-5040	Pivot Arm Assembly
16	65-4770	Shaft - Output
20	65-4730	Washer - Thrust (Inner)
21	65-4740	Washer - Thrust (Keyed)
22	65-2720	Ring - Retaining
23	65-4760	Washer - Clutch
24	66-6050	Key - Rocking L.H.
	66-6040	Key - Rocking R.H.
25	65-4750	Pinion
26	65-4720	Spring - Compression
59	65-4710	Ring - Friction